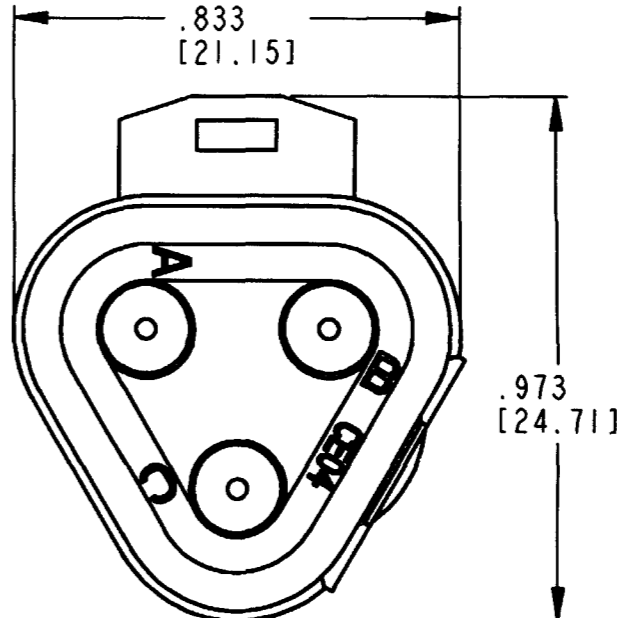
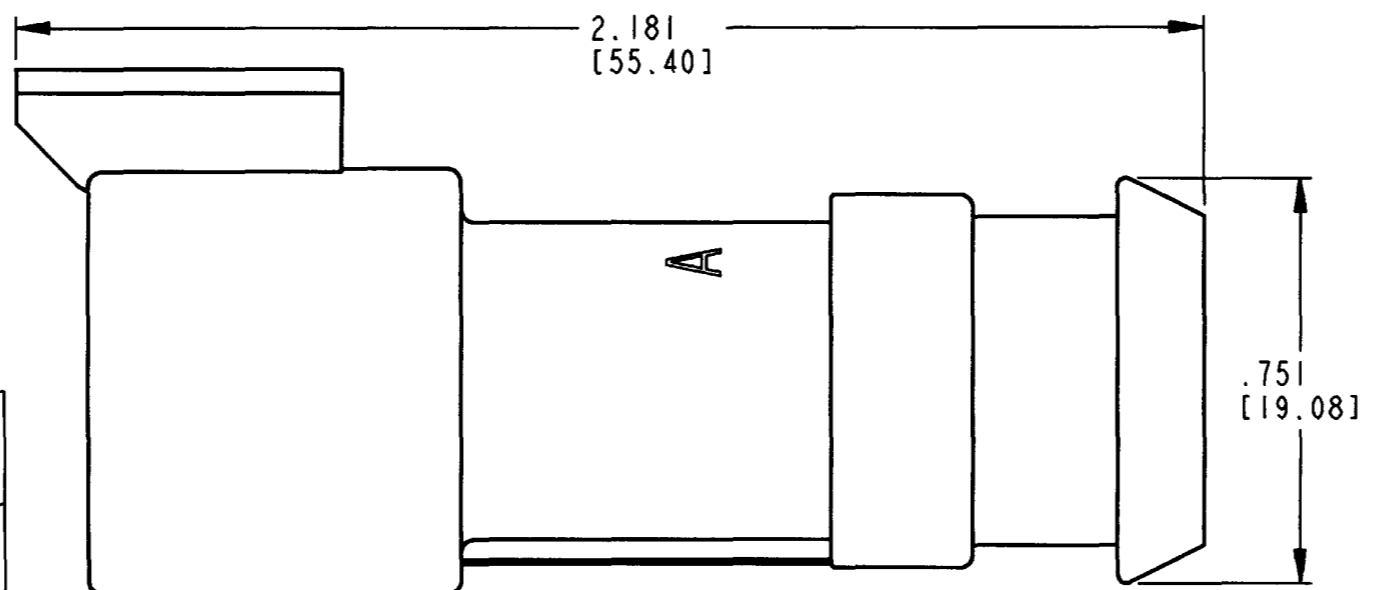
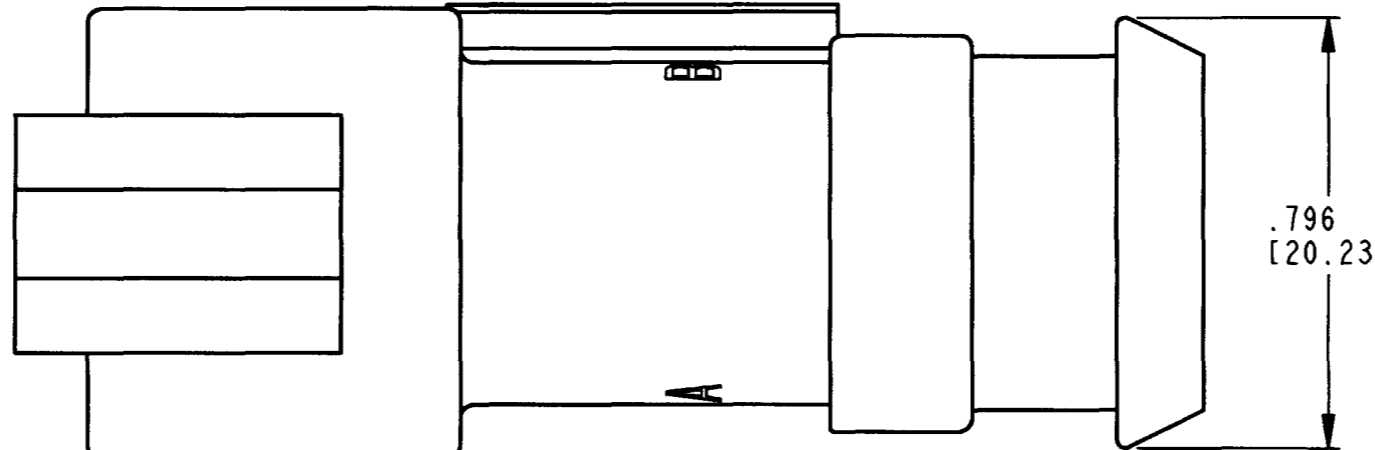


REV
A DT04-3P-CE04

REVISIONS			
SYM	DESCRIPTION	DATE	APPROVED
NC	NEW RELEASE PER E.O. P15029	3-29-96	RDR
A	REVISED PER E.O. P15905	6-15-99	RDR



CONTACT SIZE	MIN. INSUL O.D.	MAX. INSUL O.D.	WIRE RANGE [mm ²]
16	.053 [1.35]	.120 [3.05]	14-20 AWG [2.0-0.5]

4. THIS RECEPTACLE MATES WITH DT06-3S-****(**** = ALL MODIFICATIONS). CONSULT FACTORY FOR MODIFICATIONS.
3. FOR CONTACTS AND WIRE PERFORMANCE AND APPLICATION CHARACTERISTICS SEE ENVELOPE DRAWING 0425-015-0000 AND 0425-017-0000.
2. DIMENSIONS ARE ±.025[0.63] UNLESS OTHERWISE SPECIFIED.
- NOTES: 1. DIMENSIONS ARE IN INCHES [MILLIMETERS].

SIGNATURE & DATE	
DR	D. SPENCER 02FEB99
CHK	<i>[Signature]</i> 6-14-99
PE	<i>[Signature]</i> 6-11-99
APPD	R. R. 6-15-99
SCALE	3:1 WT

3 WAY RECEPTACLE
REDUCED SEAL &
EXTENDED CAP
COLOR: GRAY
DT SERIES

ENVELOPE

CP	MATL. CODE
The Deutch Company DEUTSCH I.P.D. 3850 INDUSTRIAL AVE. HEMET, CALIF. 92545	
B	DT04-3P-CE04
DWG SIZE	CODE 11139 SHEET OF